

NSE650 SERVICE PARTS

This parts list contains the service part numbers and wiring diagrams for this model. Check the model number of the unit being serviced to be sure that this list is the correct one.

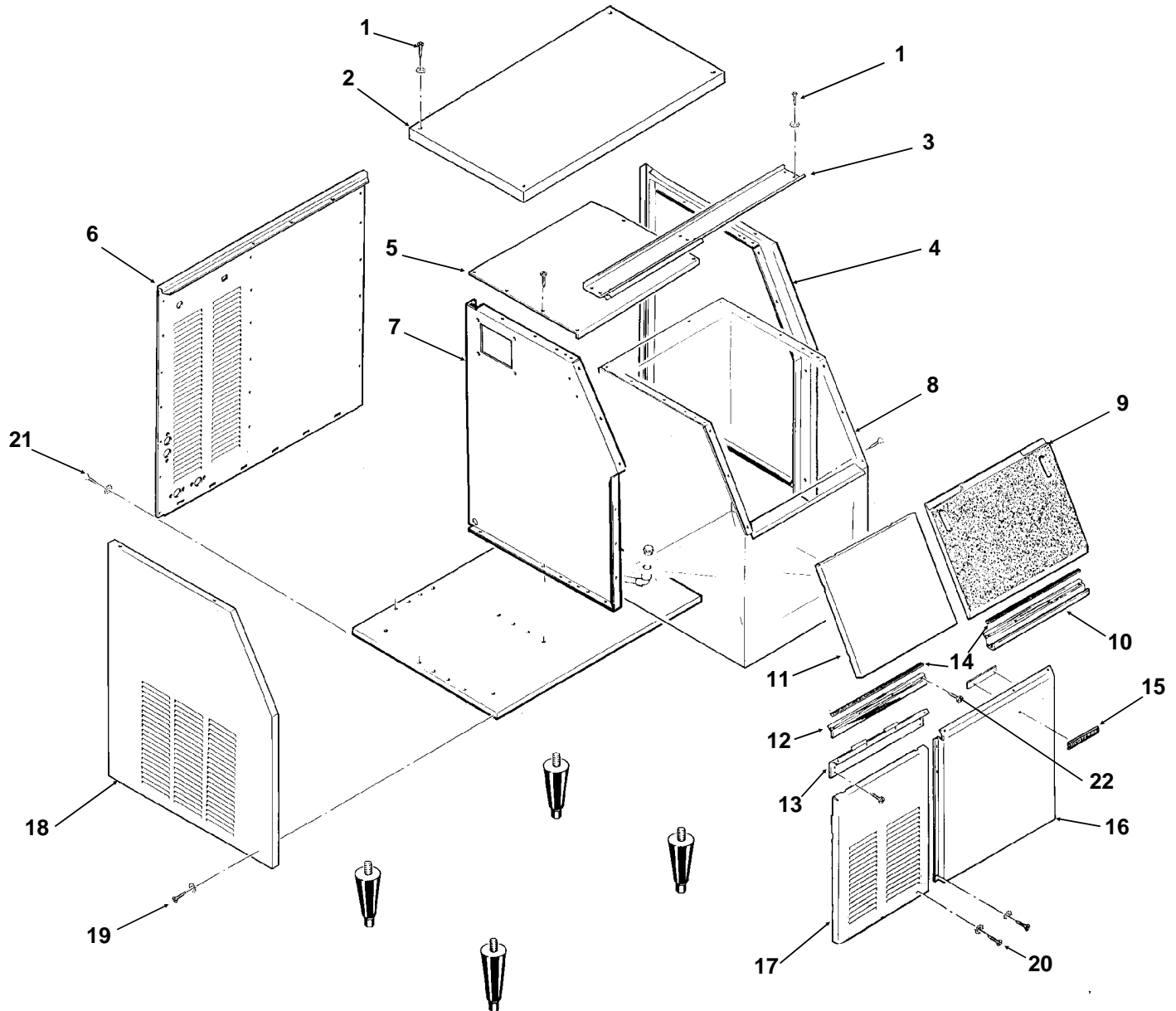
Note: The liquid line filter drier listed in this parts list is designed for this refrigeration system. Premature failure may result if the wrong drier is used.

TABLE OF CONTENTS

Cabinet	Page 2
Refrigeration	Page 3
Water System	Page 4
Evaporator	Page 5
Gearmotor	Page 6
Ice Level Sensor	Page 7
Control Box	Page 8
Wiring Diagrams	Page 9

NSE650 SERVICE PARTS

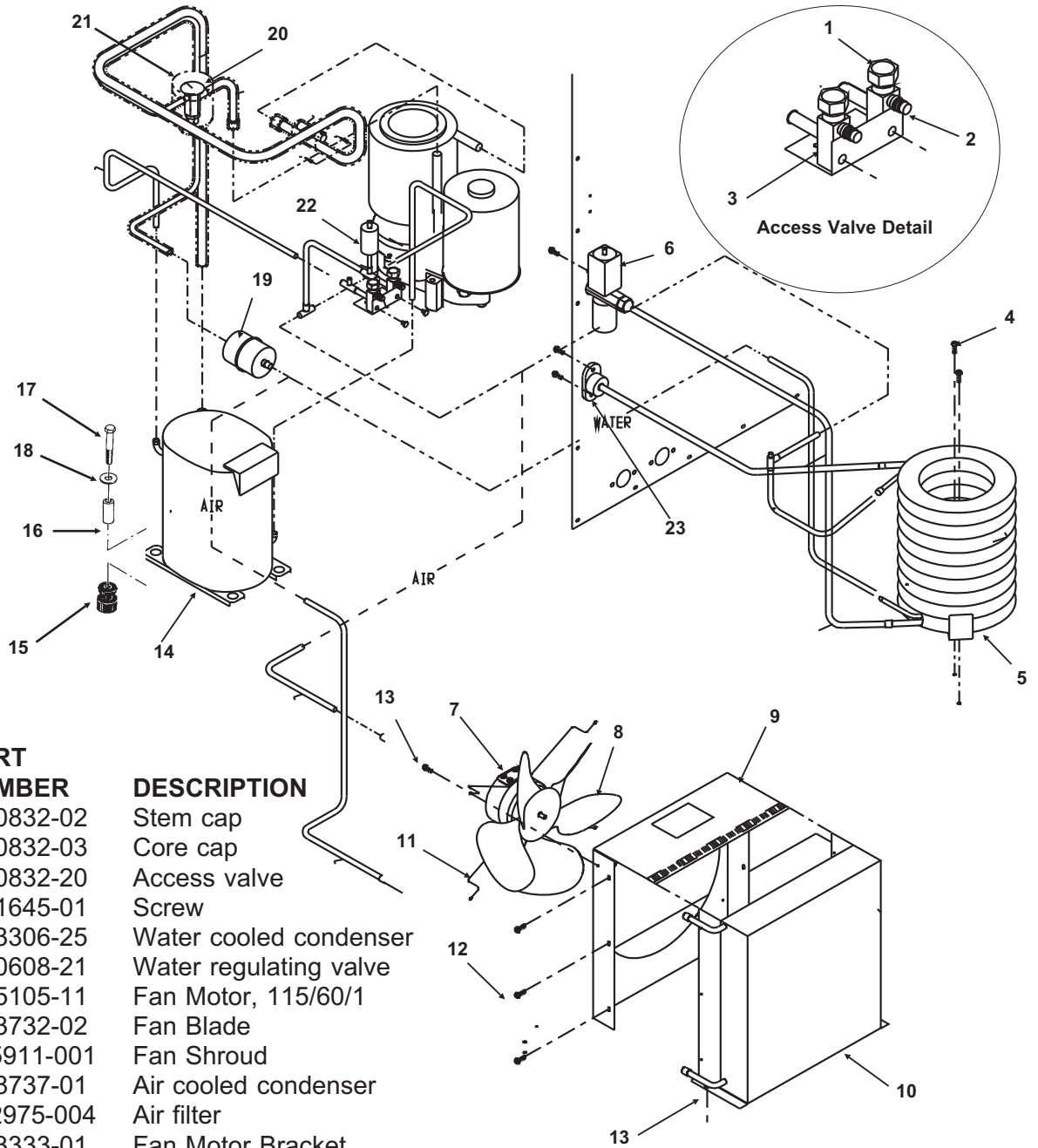
Cabinet



ITEM NUMBER	PART NUMBER	DESCRIPTION
1	03-1419-19	Screw
2	A30494-002	Top Panel, Stainless
3	A37397-001	Door Track Assembly
4	A24800-002	Rt. Side Panel, Stainless
5	A34422-001	Bin Cover
6	A35913-002	Back Panel
7	A33952-015	Retainer
8	A34421-001	Ice Storage Bin
9	02-2130-34	Door, gray
10	15-0620-01	Moulding Right
11	A30497-002	Upper front panel, stainless
12	15-0706-01	Moulding, left
13	A33958-001	Bracket
14	15-0324-00	Black insert 37"
15	15-0711-01	Emblem for sandalwood
	15-0808-01	Emblem for stainless or gray
16	A24794-002	Rt. Front Panel, stainless
17	A33968-002	Lower left front, stainless
18	A27034-002	Left side panel, stainless
19	03-1531-01	Screw
20	03-1419-16	Screw
21	03-1638-03	Screw
22	03-1419-17	Screw

NSE650 SERVICE PARTS

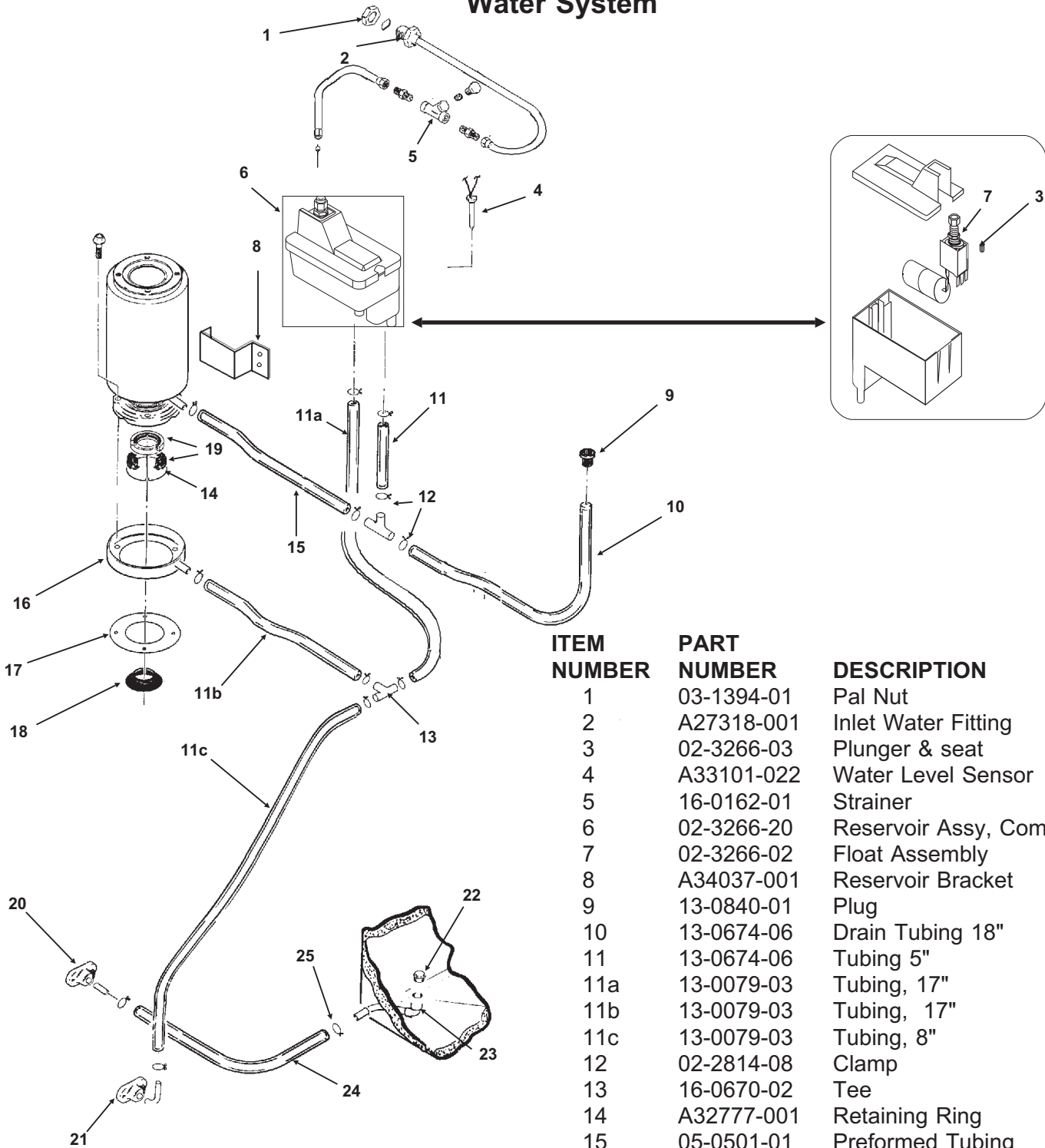
Refrigeration System



ITEM NUMBER	PART NUMBER	DESCRIPTION
1	16-0832-02	Stem cap
2	16-0832-03	Core cap
3	16-0832-20	Access valve
4	03-1645-01	Screw
5	18-3306-25	Water cooled condenser
6	11-0608-21	Water regulating valve
7	18-5105-11	Fan Motor, 115/60/1
8	18-3732-02	Fan Blade
9	A35911-001	Fan Shroud
10	18-8737-01	Air cooled condenser
	A32975-004	Air filter
11	02-3333-01	Fan Motor Bracket
12	03-1404-03	Screw
13	03-1645-01	Screw
14	18-8721-21	Compressor 115/60/1
	18-8711-50	Compressor overload
15	18-2200-28	Grommet
16	18-2200-27	Sleeve
17	03-1405-40	Bolt
18	03-1408-29	Washer
19	02-3319-02	Drier
20	11-0488-21	Thermo Expansion valve
21	19-0599-06	Insulation
22	11-0485-21	Hi Pressure Cut Out
23	A31828-002	Drain casting

NSE650 SERVICE PARTS

Water System



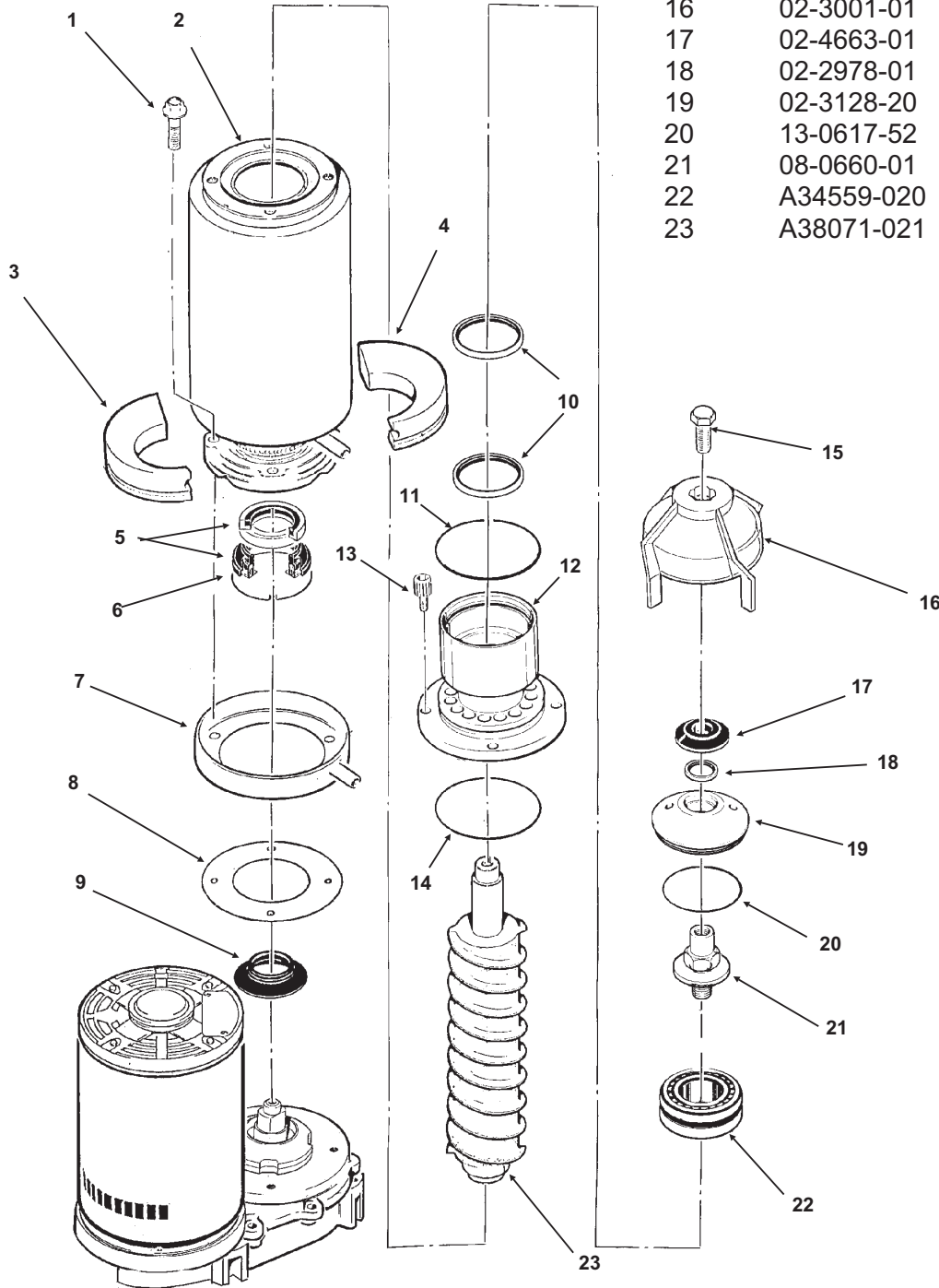
ITEM NUMBER	PART NUMBER	DESCRIPTION
1	03-1394-01	Pal Nut
2	A27318-001	Inlet Water Fitting
3	02-3266-03	Plunger & seat
4	A33101-022	Water Level Sensor
5	16-0162-01	Strainer
6	02-3266-20	Reservoir Assy, Complete
7	02-3266-02	Float Assembly
8	A34037-001	Reservoir Bracket
9	13-0840-01	Plug
10	13-0674-06	Drain Tubing 18"
11	13-0674-06	Tubing 5"
11a	13-0079-03	Tubing, 17"
11b	13-0079-03	Tubing, 17"
11c	13-0079-03	Tubing, 8"
12	02-2814-08	Clamp
13	16-0670-02	Tee
14	A32777-001	Retaining Ring
15	05-0501-01	Preformed Tubing
16	A32050-001	Drain Pan
17	13-0704-00	Gasket
18	02-4663-01	Water Shed
19	02-0929-23	Water Seal
20	A31828-005	Drain Casting
21	02-3692-22	Drain Casting
22	02-2809-01	Drain top
23	A27018-001	Drain
24	13-0674-06	Drain Tube 6"
25	02-1338-00	Hose Clamp

NSE650 SERVICE PARTS

Evaporator

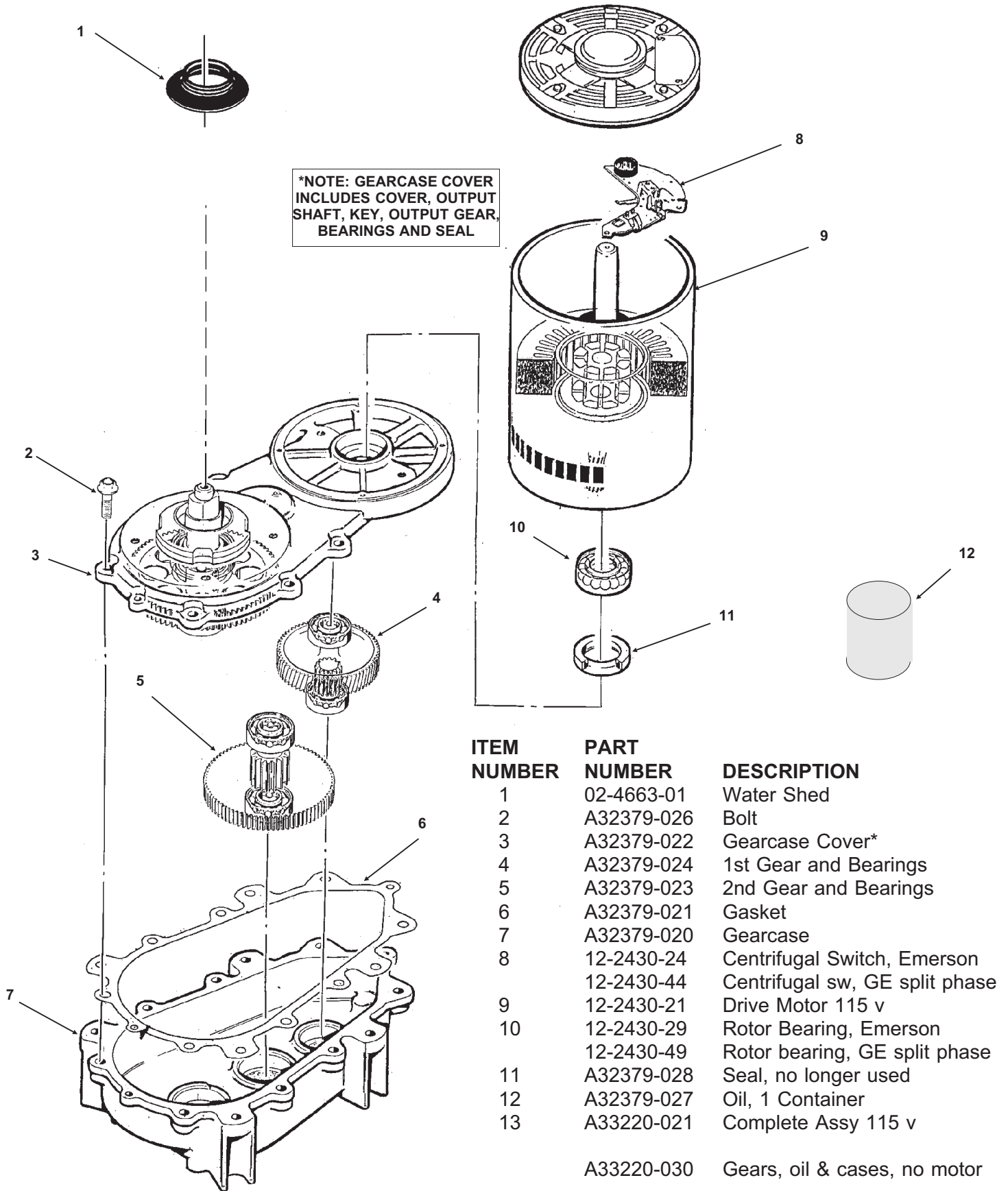
ITEM NUMBER	PART NUMBER	DESCRIPTION
1	03-1405-41	Cap Screw
	03-1417-13	Lockwasher
2	A33194-020	Evaporator
3	02-4358-01	Insulation
4	no number	part of item 3
5	02-0929-23	Water Seal
6	A32777-001	Retaining ring for seal
7	A32050-001	Drip Pan

ITEM NUMBER	PART NUMBER	DESCRIPTION
8	13-0704-00	Gasket
9	13-0868-01	Water Shed
10	02-2977-01	Lip Seal
11	13-0617-54	O-Ring
12	A32900-020	Breaker
	(includes 10,14,18,19,20 & 22)	
13	03-1544-08	Soc. head screw
14	13-0617-45	O-Ring
15	03-1405-52	Hex Cap Screw
16	02-3001-01	Ice Sweep
17	02-4663-01	Water Shed
18	02-2978-01	Lip Seal
19	02-3128-20	Breaker cover
20	13-0617-52	O-Ring
21	08-0660-01	Auger Stud
22	A34559-020	Bearing
23	A38071-021	Auger



NSE650 SERVICE PARTS

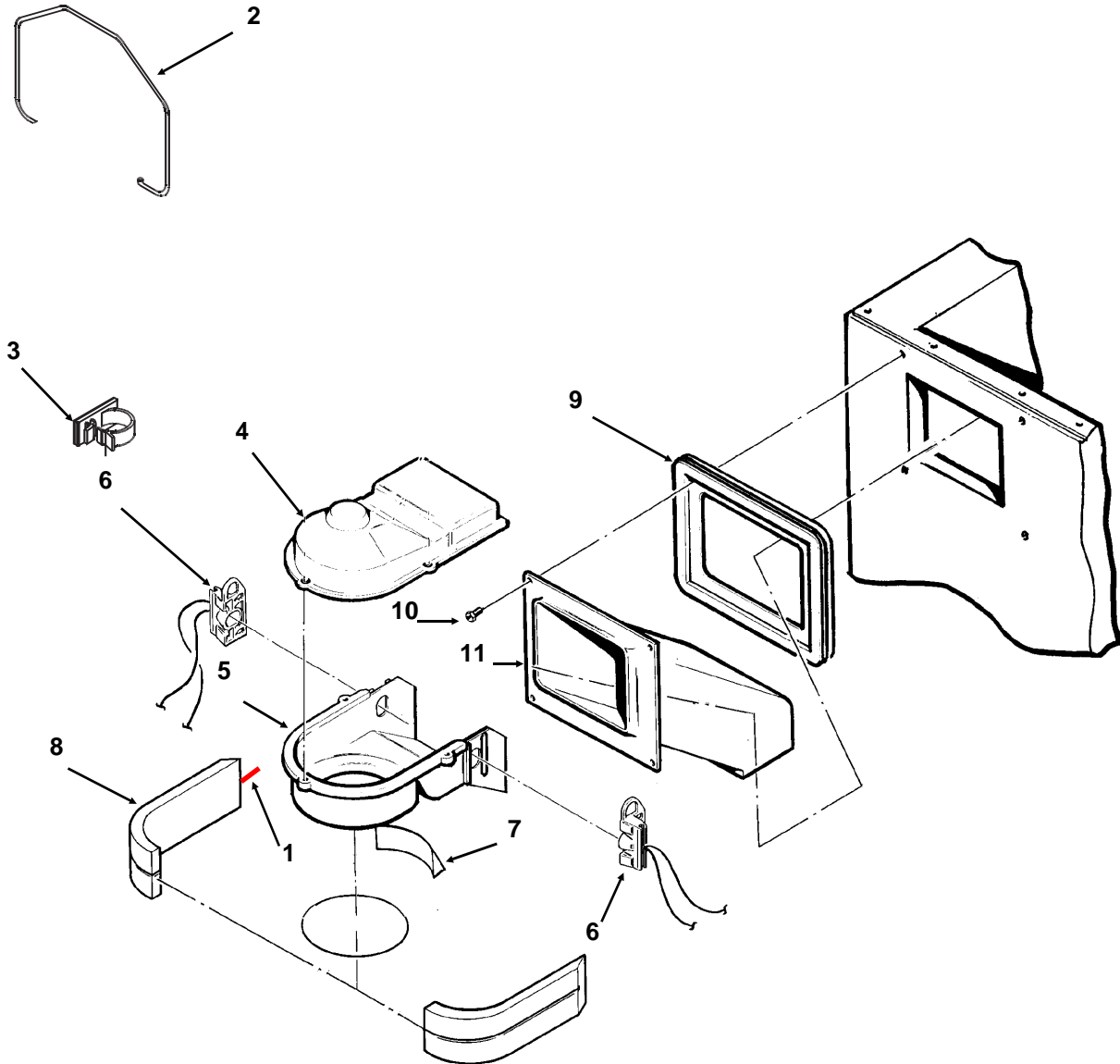
Gearmotor Assembly



ITEM NUMBER	PART NUMBER	DESCRIPTION
1	02-4663-01	Water Shed
2	A32379-026	Bolt
3	A32379-022	Gearcase Cover*
4	A32379-024	1st Gear and Bearings
5	A32379-023	2nd Gear and Bearings
6	A32379-021	Gasket
7	A32379-020	Gearcase
8	12-2430-24	Centrifugal Switch, Emerson
	12-2430-44	Centrifugal sw, GE split phase
9	12-2430-21	Drive Motor 115 v
10	12-2430-29	Rotor Bearing, Emerson
	12-2430-49	Rotor bearing, GE split phase
11	A32379-028	Seal, no longer used
12	A32379-027	Oil, 1 Container
13	A33220-021	Complete Assy 115 v
	A33220-030	Gears, oil & cases, no motor

NSE650 SERVICE PARTS

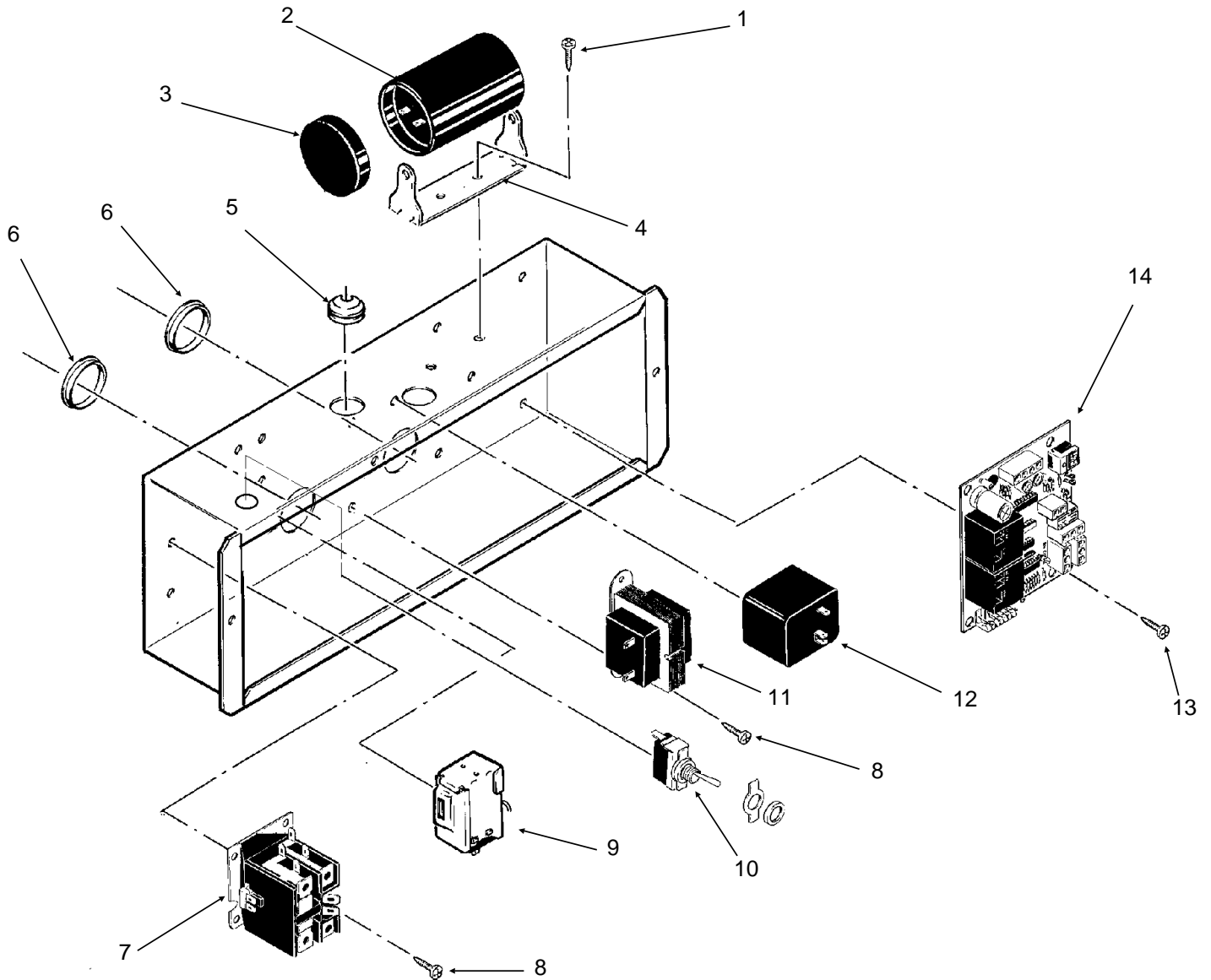
Ice Level Sensors and Ice Chute



ITEM NUMBER	PART NUMBER	DESCRIPTION
1	A35419-020	Strap kit
2	A34969-001	Bail clamp
3	02-3268-01	Drain tube clip holder
4	02-2957-02	Ice chute cover
5	02-2958-01	Ice chute body
6	A37711-021	Ice level sensors
7	A33102-001	Insulation
8	A32963-001	Insulation half
9	13-0867-01	Grommet
10	03-1531-01	Screw
11	02-2973-01	Chute extension

NSE650 SERVICE PARTS

Control Box



ITEM NUMBER	PART NUMBER	DESCRIPTION
1	03-1419-10	Screw
2	18-1901-03	Start Capacitor
3	18-2200-38	Start Capacitor Cap
4	18-2200-39	Start Capacitor Bracket
5	13-0577-00	Grommet
6	12-1213-11	Bushing
7	12-2048-01	Contactor
8	03-1531-01	Screw
9	11-0447-20	Low Pressure Control

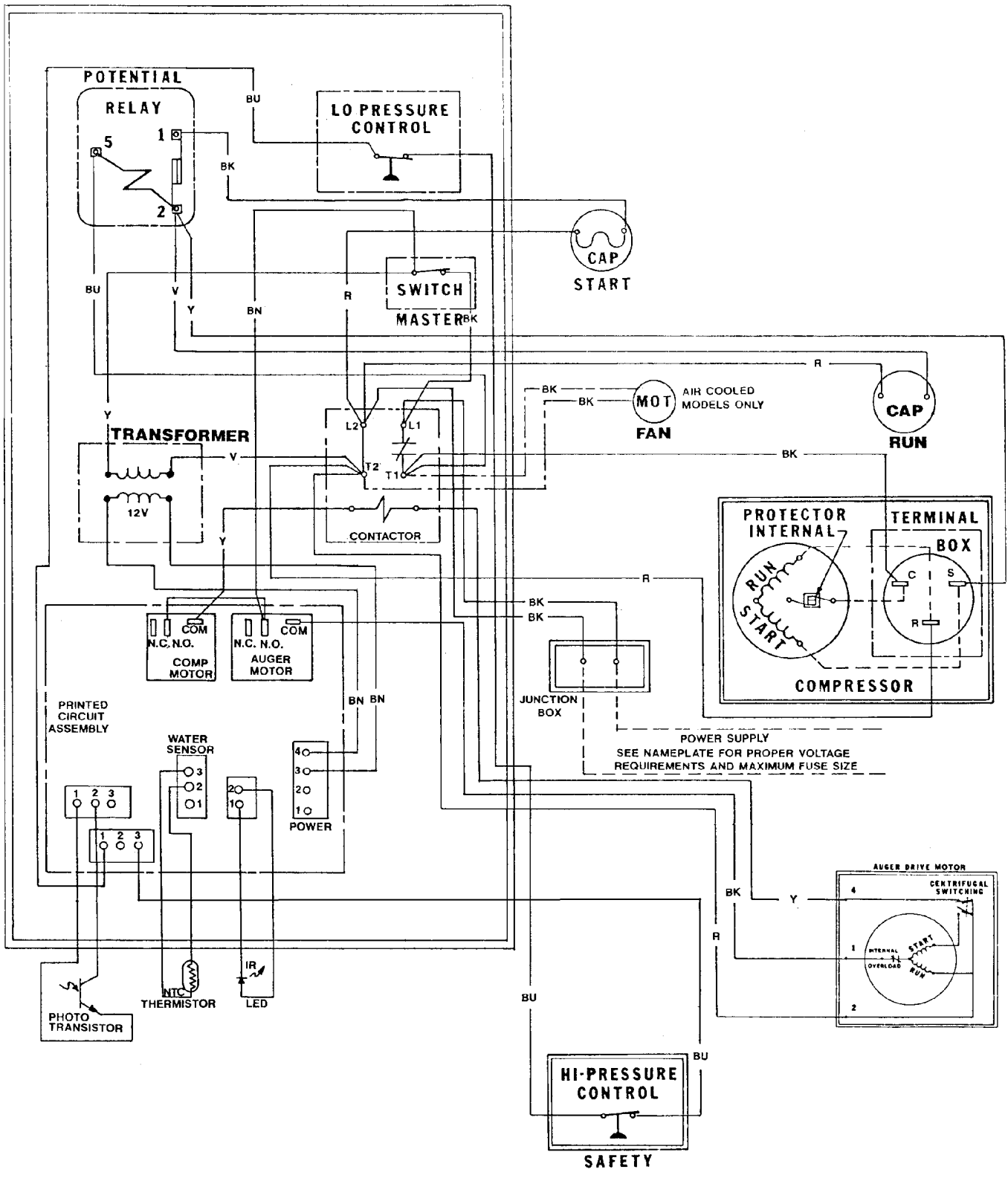
ITEM NUMBER	PART NUMBER	DESCRIPTION
10	12-0426-01	Master Switch
11	12-2285-21	Transformer
12	18-1903-50	Potential Relay
13	12-2350-01	Stand off
14	A37750-021	Circuit Board

NOT ILLUSTRATED

15	12-2337-05	Wire Harness, circuit board to safety circuit
16	12-2340-02	Wire Harnes, circuit board to transformer
17	18-1902-45	Run capacitor (mounts behind control box)

NSE650 SERVICE PARTS

Component Layout Diagram



NSE650 SERVICE PARTS

Schematic Diagram

